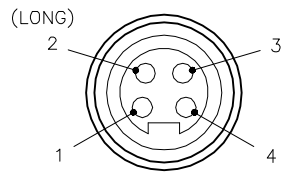

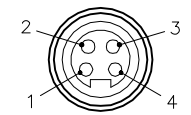

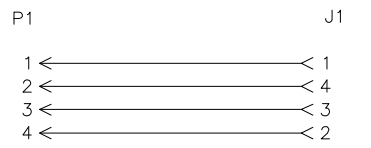
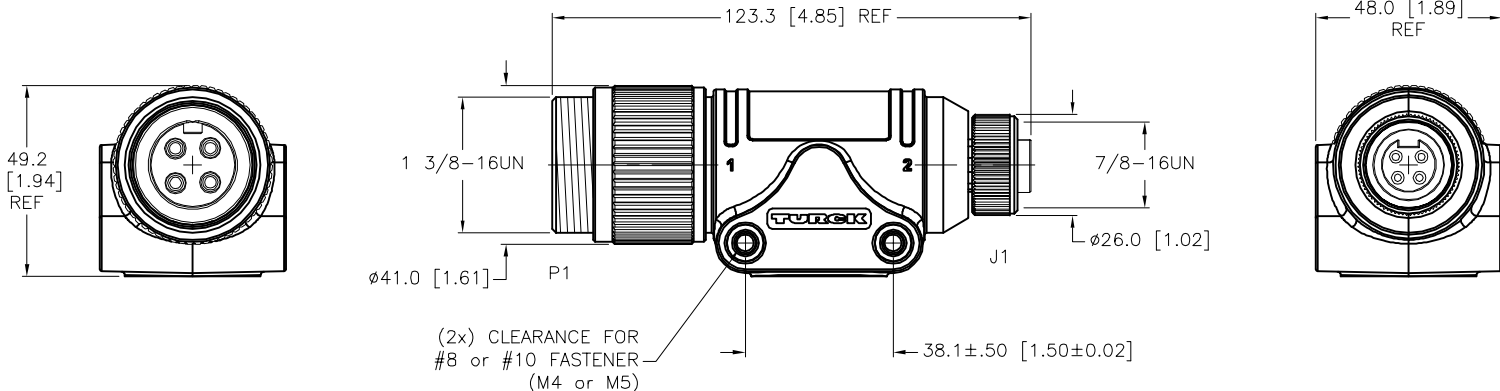
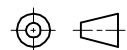


MALE END VIEW (P1)	FEMALE END VIEW (J1)	WIRING DIAGRAM	SPECIFICATIONS																	
 	 		<table border="1"> <tr><td>CONTACT CARRIER MATERIAL</td><td>PVC</td></tr> <tr><td>MOLDED HEAD MATERIAL/COLOR</td><td>PVC/BLACK</td></tr> <tr><td>CONTACT MATERIAL/PLATING</td><td>BRASS or COPPER/GOLD</td></tr> <tr><td>COUPLING NUT MATERIAL/PLATING</td><td>BRASS/NICKEL</td></tr> <tr><td>RATED CURRENT [A]</td><td>17.0 A</td></tr> <tr><td>RATED VOLTAGE [V]</td><td>600 V</td></tr> <tr><td>TEMPERATURE RANGE</td><td>-40°C to +90°C (-40°F to +194°F)</td></tr> <tr><td>APPROVALS AND CERTIFICATIONS</td><td>UL 2237, UL 2238</td></tr> </table>	CONTACT CARRIER MATERIAL	PVC	MOLDED HEAD MATERIAL/COLOR	PVC/BLACK	CONTACT MATERIAL/PLATING	BRASS or COPPER/GOLD	COUPLING NUT MATERIAL/PLATING	BRASS/NICKEL	RATED CURRENT [A]	17.0 A	RATED VOLTAGE [V]	600 V	TEMPERATURE RANGE	-40°C to +90°C (-40°F to +194°F)	APPROVALS AND CERTIFICATIONS	UL 2237, UL 2238	
CONTACT CARRIER MATERIAL	PVC																			
MOLDED HEAD MATERIAL/COLOR	PVC/BLACK																			
CONTACT MATERIAL/PLATING	BRASS or COPPER/GOLD																			
COUPLING NUT MATERIAL/PLATING	BRASS/NICKEL																			
RATED CURRENT [A]	17.0 A																			
RATED VOLTAGE [V]	600 V																			
TEMPERATURE RANGE	-40°C to +90°C (-40°F to +194°F)																			
APPROVALS AND CERTIFICATIONS	UL 2237, UL 2238																			



SOURCE DRAWING - FOR REFERENCE ONLY

**CAUTION:**  
RISK OF ELECTRICAL SHOCK  
DO NOT DISCONNECT UNDER LOAD

RELATED DOCUMENTS 1. 2. 3. 4.	3RD ANGLE PROJECTION 	THIS DRAWING IS CONFIDENTIAL AND THE PROPERTY OF TURCK INC. USE OF THIS DOCUMENT WITHOUT WRITTEN PERMISSION IS PROHIBITED.		3000 CAMPUS DRIVE MINNEAPOLIS, MN 55441 1-800-544-7769 (763) 553-7300 (763) 553-0708 fax www.turck.us	
MATERIAL  SEE SPECIFICATIONS	ALL DIMENSIONS DISPLAYED ON THIS DRAWING ARE FOR REFERENCE ONLY	DRFT RDS DATE 04/11/14 APVD J.B. SCALE 1=2.0	DESCRIPTION P-PWR-GSDM RKM 44-0		
FINISH  SEE SPECIFICATIONS	CONTACT TURCK FOR MORE INFORMATION	UNIT OF MEASUREMENT <b>MILLIMETER [ INCH ]</b>  DO NOT SCALE THIS DRAWING		IDENTIFICATION NO. U2-22971	REV F
F UPDATE RATED CURRENT	RDS 01/19/21	500000002372	FILE: U2-22971 SHEET 1 OF 1		
REV DESCRIPTION	BY DATE ECO NO.				